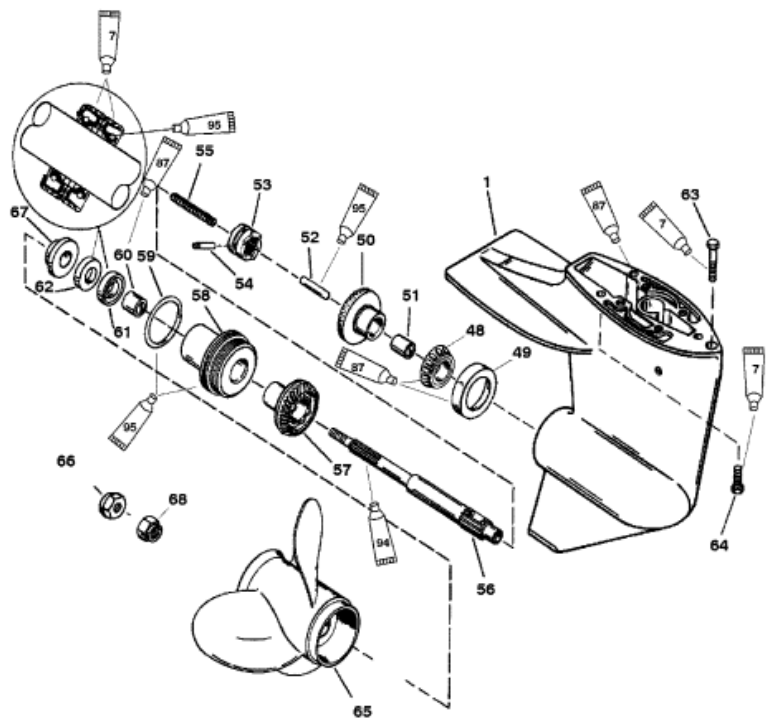






2.60 IN./102MM
 TORPEDO DIA.



-  Loctite "271" Adhesive Sealant (92-809819)
-  Super Duty Gear Lubricant (92-13783A24)
-  Anti-Corrosion Grease (92-78376A6)
-  2-4-C With Teflon (92-825407A12)

Parts List

Ref	Class	Part	Description	Qty	Comment	Footnote
-	1666	8833A25	GEAR HOUSING-COMLETE	1	(SHORT-BLACK)	
-	1666	8833A27	GEAR HOUSING-COMLETE	1	(LONG-BLACK)	
1	1666	8833A17	GEAR HOUSING	1	(BLACK)	
48	31	821321A 1	ROLLER BEARING	1		
49		NSS	CUP	1		5
50	43	821924A 1	FORWARD GEAR (26 TEETH)	1		
51	23	41367	BUSHING	1		
52		813139	CAM FOLLOWER	1		
53	52	821930A 1	CLUTCH ASSEMBLY	1		
54	17	823951	CROSS PIN	1		
55	24	42204	SPRING	1		
56	44	821929	PROPELLER SHAFT	1		
57	43	821926 1	REVERSE GEAR (26 TEETH)	1		
58		42144A 3	BEARING CARRIER	1		
59	25	33145	O-RING	1		3,6
60	23	821927	BUSHING	1		
61	26	99325	OIL SEAL	1		
62	26	821928	OIL SEAL	1		
63	10	824071 10	SCREW (M8 X 50)	1		
64	10	824071 7	SCREW (M8 X 30)	2		
65	48	828152A12	PROPELLER	1		
66	11	13914	PROPELLER NUT	1		
67		821932 1	THRUST HUB	1		
68	23	42091 1	SPACER	1		
-	26	41365A 3	SEAL KIT	1		
-	27	825847A95	ENGINE GASKET SET	1		